

SL30 DBL Quick Start Guide

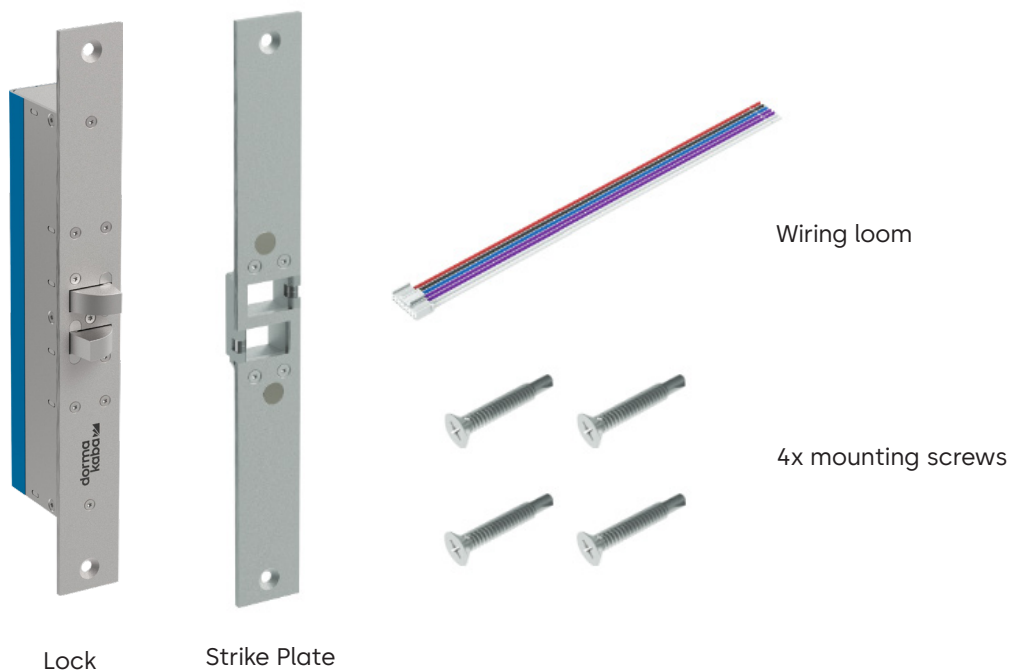


- Wiring the lock requires at least three connections; red (positive), black (negative), and blue (control).
- Ensure the power supply has the following current available to power the lock when supplied with the following; 400mA for 24VDC supply and 750mA for 12VDC supply.
- Use an appropriate wire gauge for the wire run distance between the lock and power supply.
- Do not mount the lock in the floor operating upwards or in an environment where it can get wet

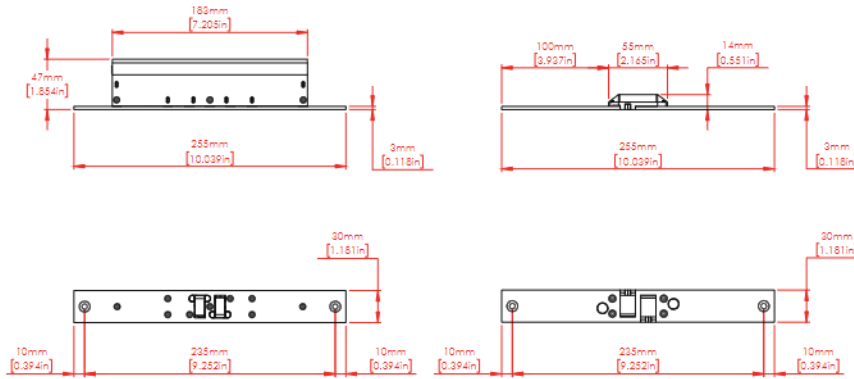
Warranty Information

The product is covered by a 3-year manufacturers' warranty against faulty or malfunctioning parts, components, or product. A faulty product can be returned at the customers' expense to the seller for review. At the seller's discretion, either a replacement lock or affected part will be supplied to remedy the fault. Removing the lock cover or faceplate screws may void the warranty. Mistreatment or ill-use of the lock may void the warranty.

Package Contents



Product Dimensions



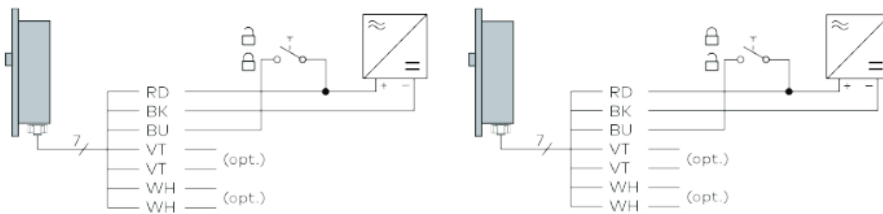
Wiring Gauge Table

Conductor Cross Sectional Area		Maximum Distance	
#AWG	(mm ²)	at 12VDC	at 24VDC
24	0.20	10m (33ft)	30m (98ft)
22	0.33	16m (52ft)	48m (157ft)
20	0.52	26m (85ft)	77m (253ft)
18	0.82	41m (135ft)	122m (400ft)
16	1.31	65m (213ft)	195m (640ft)
14	2.08	103m (338ft)	310m (1017ft)

Wiring IO Table

Wire Colour	Meaning	Description
RED	Power Supply (12 - 24VDC)	Positive connection to DC power supply, "+"
BLACK		Negative connection to DC power supply, "-"
BLUE	Control	Switched positive control input
VIOLET	Bolt Position Monitor	Normally open contact (NO), closed when the bolt pin is extended (<i>optional</i>)
VIOLET		
WHITE	Door Position Monitor	Normally open contact (NO), closed when the strike is aligned with the lock (<i>optional</i>)
WHITE		

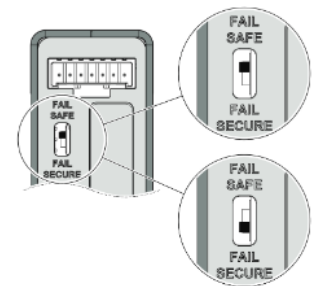
How to wire the lock for each operating mode



Fail Safe Wiring, control high to lock.

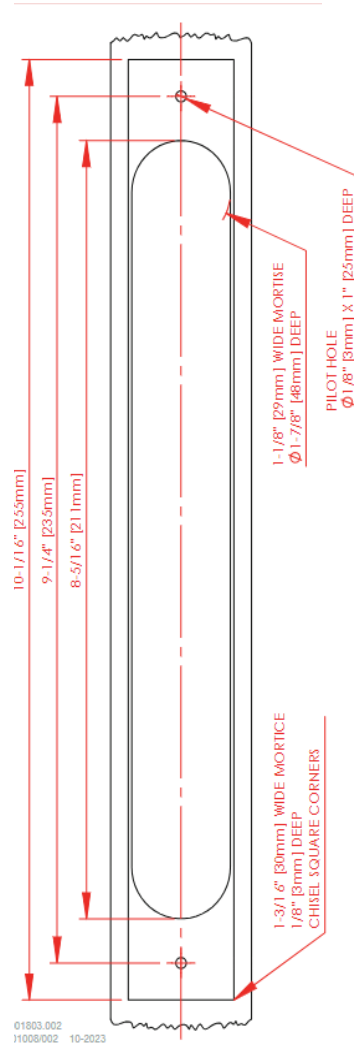
Fail Secure Wiring, control low to lock.

How to set the operating mode



Toggle the switch on the product before powering up

Wooden Door Frame Mortise Example SL30 DBL



The dimensioned drawing is an example of how to cut the mortise for the lock into a timber door frame. This should be centered with the centre of the door leaf when closed.

Cut any additional pathways required for the wiring loom.

The lock can be orientated in either direction, as it will pull the door in from both sides.

Pull wiring through and connect to the lock, then fit lock into mortise and secure with included mounting screws.

Repeat process for strike plate allowing room for strike box.

Alternative mounting options are available for metal and glass. Refer to installation and operating instructions for accessories and alternative mounting procedures.



Any questions? We would be happy to advise you.

Contact us at: 01462 477600